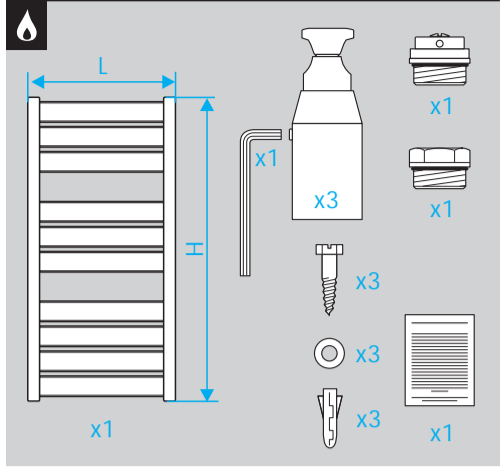
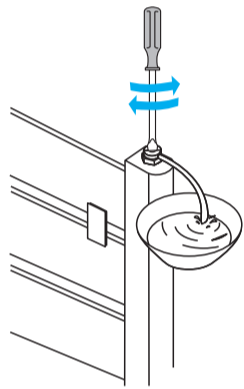
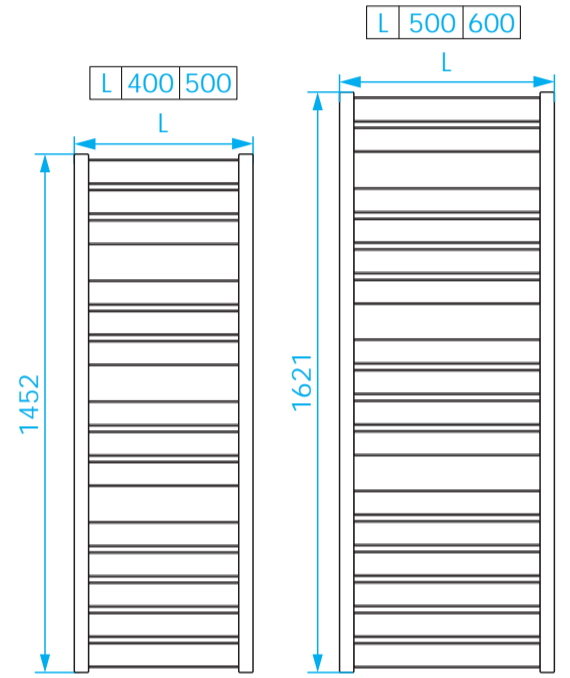
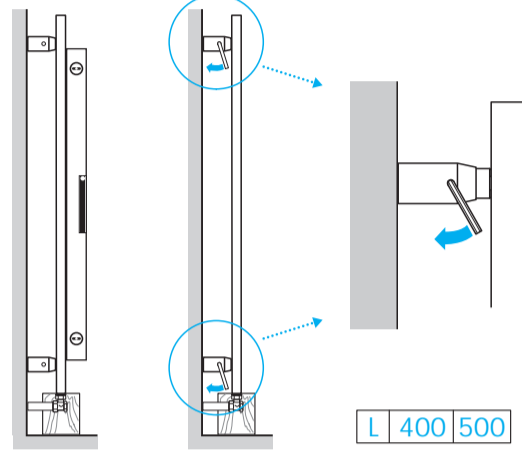
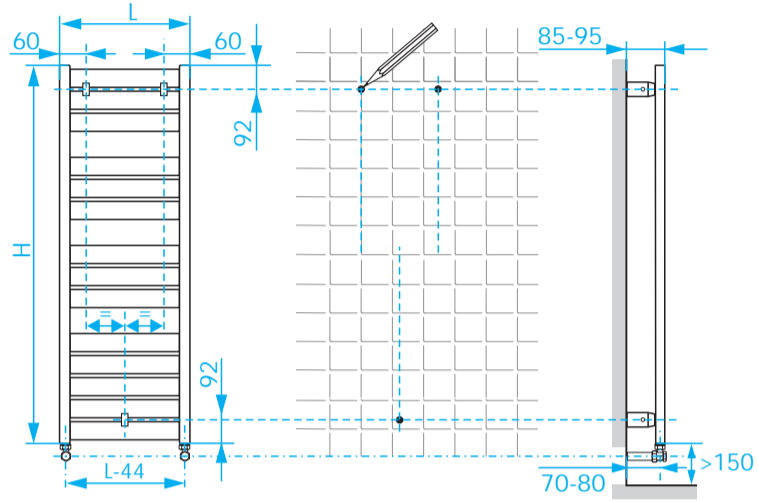
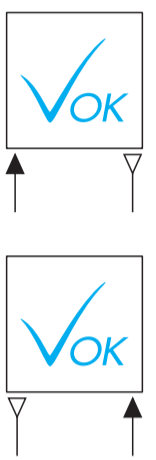
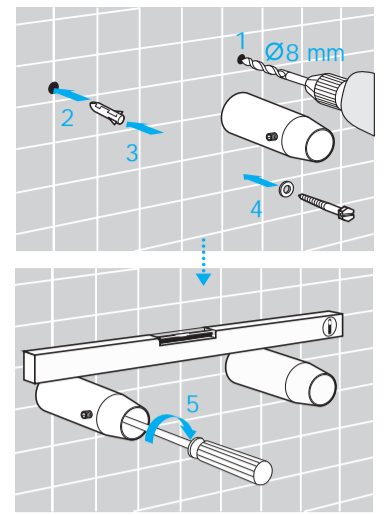
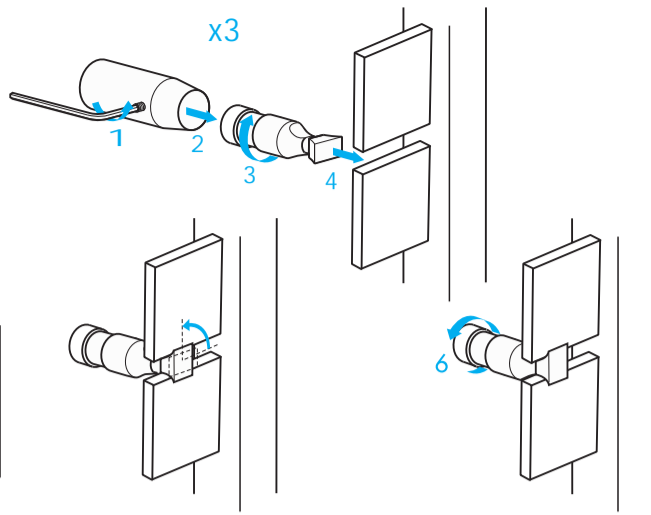
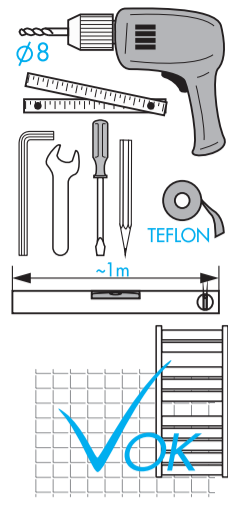
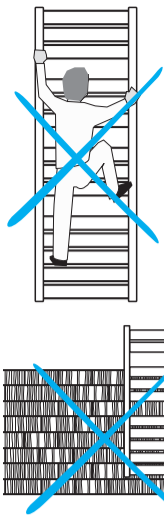


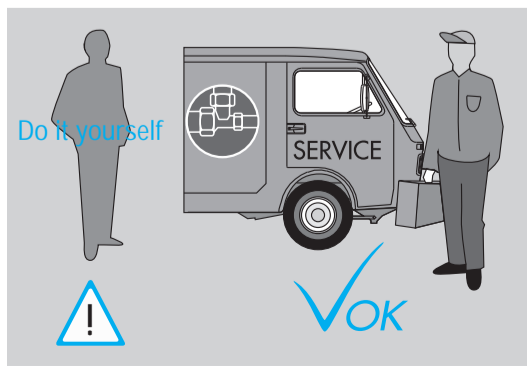
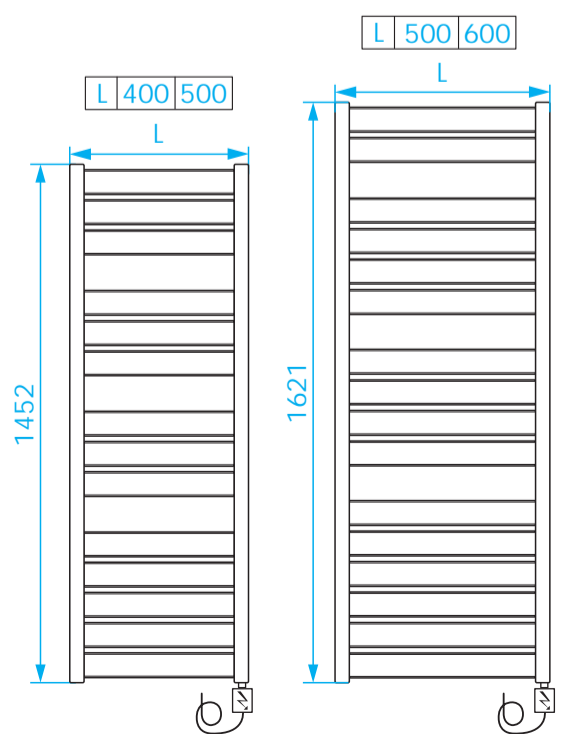
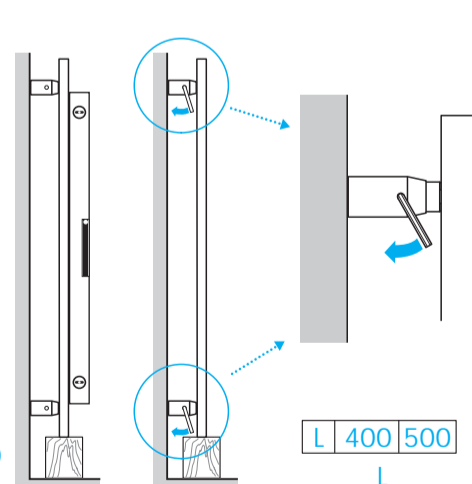
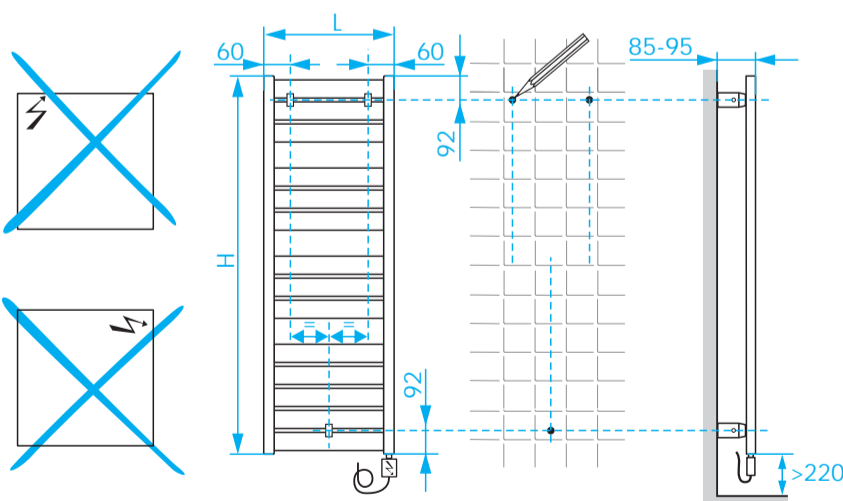
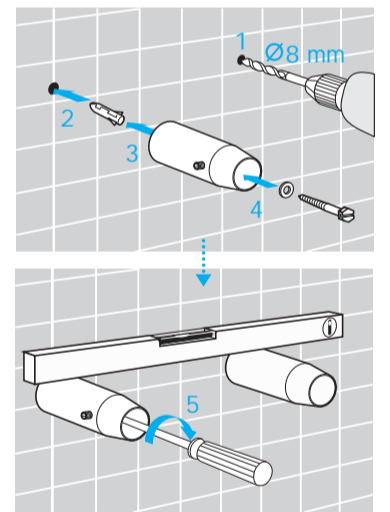
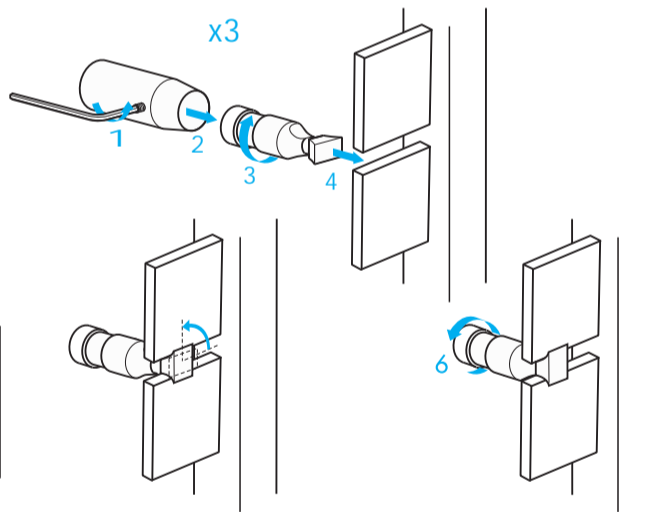
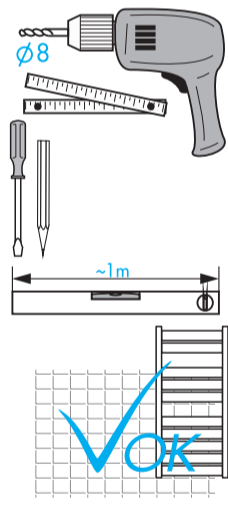
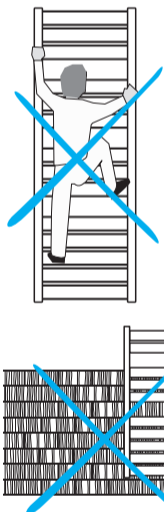
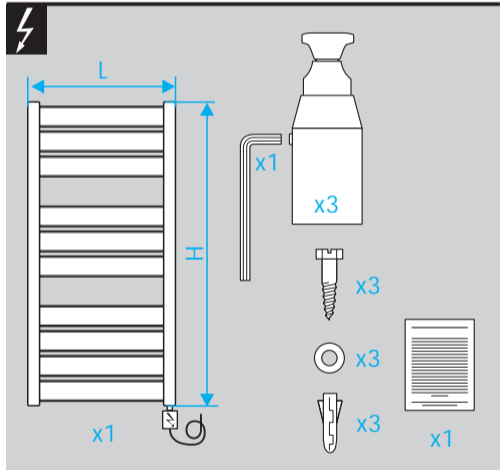
TYPE P56



© Copyright by PBO 09/16 40004133



TYPE P56-E



TYPE P56-EF

