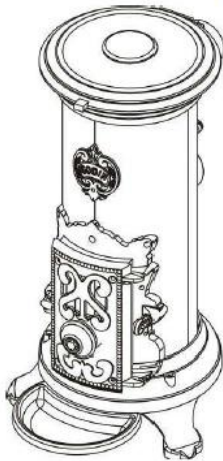




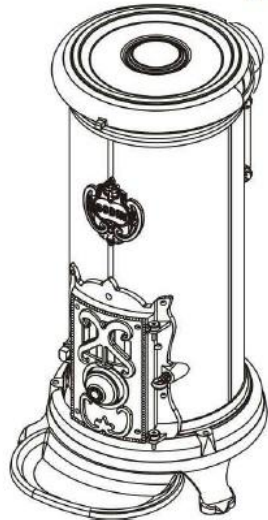
Petit Godin

3720A, 3726, 3727, 3721A

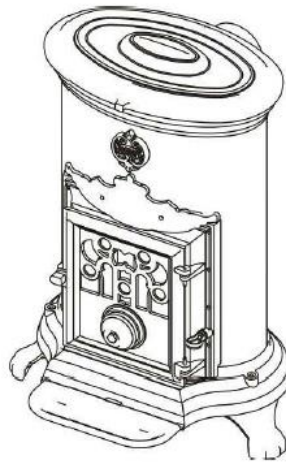
Ref. 3720A



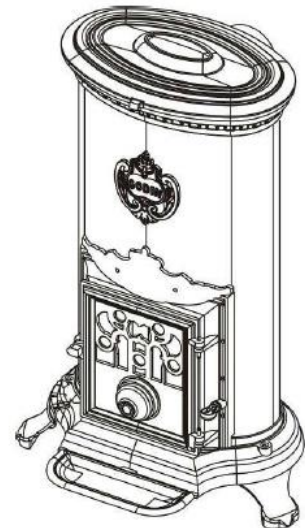
Ref. 3721A



Ref. 3726



Ref. 3727



This unit must be installed according to all local and national regulations in place and must conform to the technical directives contained in the user manual. The heater must be installed by a suitably qualified professional installer.

You have just purchased a Petit Godin multifuel heater and we thank you for making this choice. This insert has been conceptualised, designed and manufactured in France. Please read the instruction manual attentively and completely before installing the insert.

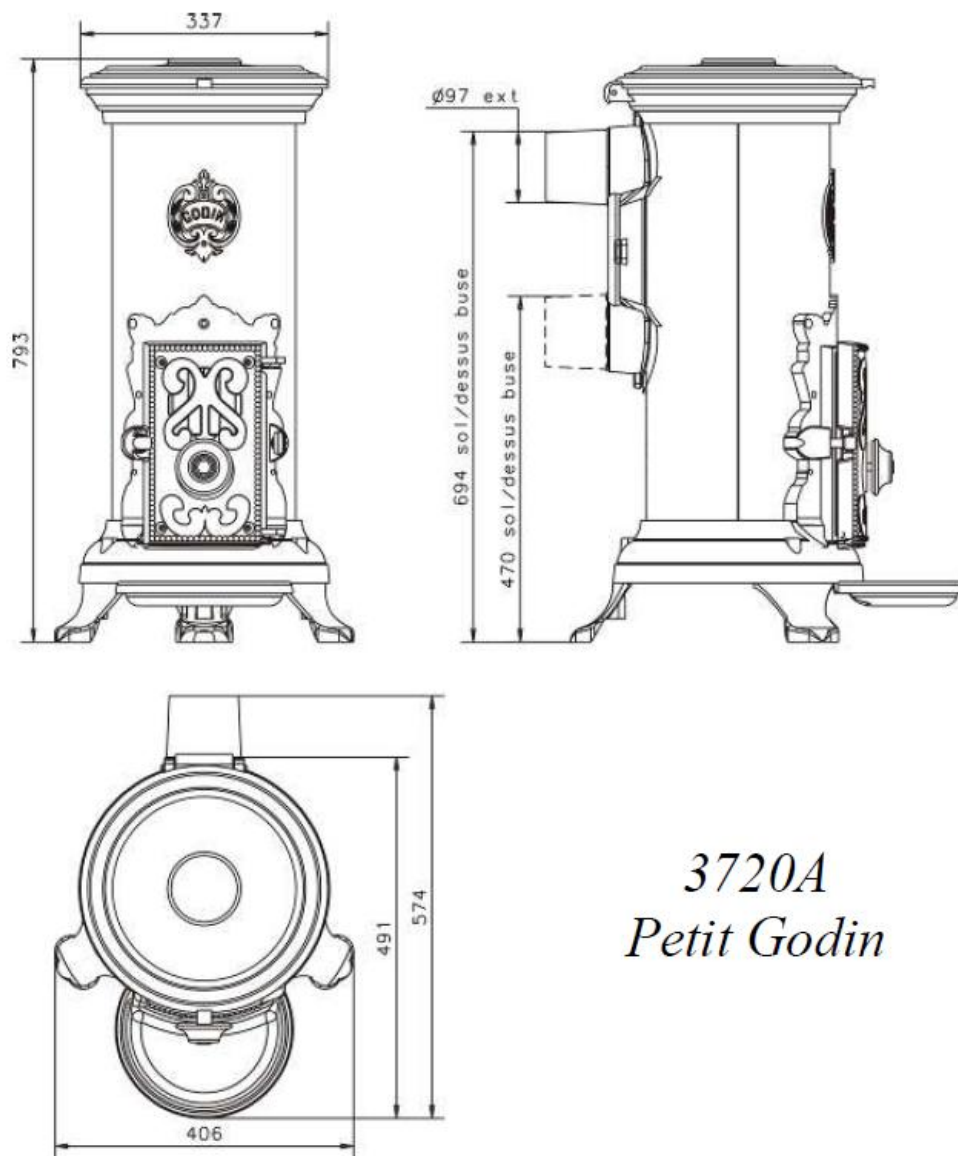
Please keep this manual at hand, even after the unit has been installed.

TECHNICAL CHARACTERISTICS

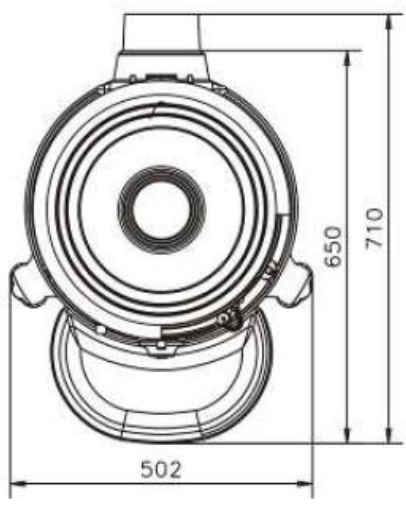
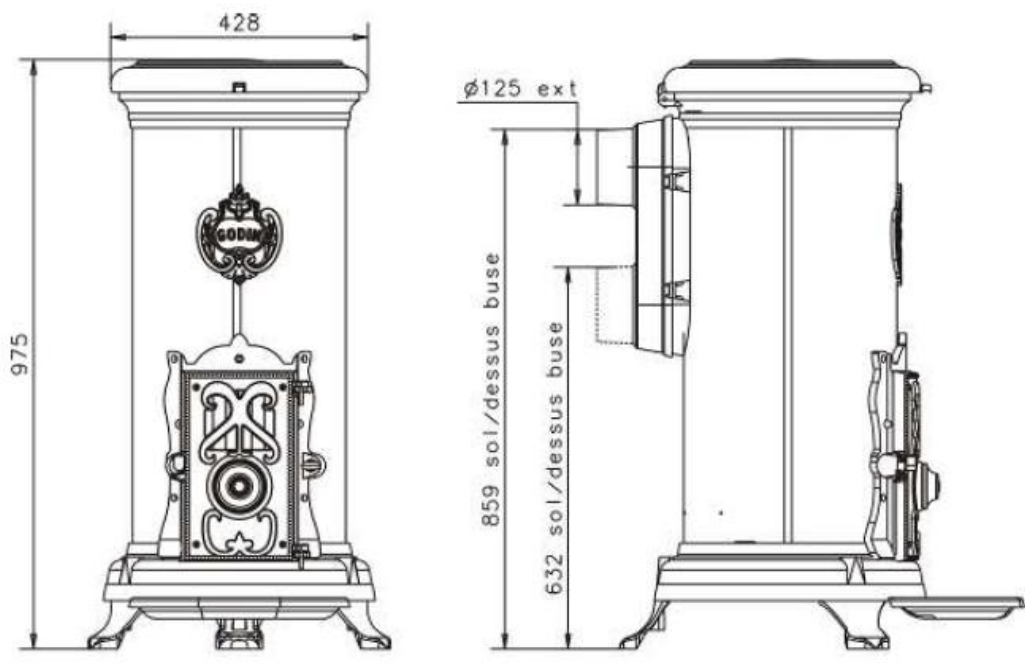
	3720A	3721A	3726	3727
Dimensions (HxWxD in cm)	76x41x41	94x53x53	77x59x48	94x59x48
Mass (kg)	60	102	84	100
Secondary combustion	YES	YES	YES	YES
Manual regulation	YES	YES	YES	YES
Loading	TOP	TOP	TOP	TOP
Interior	FIREBRICKS	FIREBRICKS	FIREBRICKS	FIREBRICKS
Exterior	ENAMELLED STEEL & CAST-IRON	ENAMELLED STEEL & CAST-IRON	ENAMELLED STEEL & CAST-IRON	ENAMELLED STEEL & CAST-IRON
Fuel – wood	UP TO 40cm	UP TO 50 cm	UP TO 33cm	UP TO 50cm
Fuel – anthracite	20/30mm	20/30mm	20/30mm	20/30mm
Rear outlet	YES	YES	YES	YES
Spigot diameter (mm)	97	125	125	125
Distance from the ground to the top of the outlet spigot (cm) - TOP	69.4	85.9	69.3	85.5
Distance from the ground to the top of the outlet spigot (cm) - LOWER	47	63.2	46.5	62.7
Drum colour	ENAMELLED GLOSS BLACK	ENAMELLED GLOSS BLACK	ENAMELLED GLOSS BLACK	ENAMELLED GLOSS BLACK
Ash removal	FRONT	FRONT	FRONT	FRONT
Firebox size (HxWxD in cm)	40x20x20	60x30x30	50x33x20	60x33x20
Calorific output (kW)	5	10	7	10
Corrected heating volume (m³)	70 to 150	180 to 380	90 to 240	180 to 380
Fume temperature in normal use – Wood (°C)	321	357	446	444
Fume temperature in normal use –	222	412	376	414

Anthracite (°C)				
CO emission at 13% O² (%) - Wood	0.92	0.56	0.54	0.80
CO emission at 13% O² (%) – Anthracite	0.33	0.72	0.14	0.35
Efficiency at normal rate (%) - Wood	71.0	72.8	69.6	70.7
Efficiency at normal rate (%) – Anthracite	83.5	76.8	73.5	78.7
Safety distances to combustible materials (cm) – Rear	70	70	70	70
Safety distances to combustible materials (cm) – Sides	70	70	70	70
Safety distances to combustible materials (cm) – Front	150	150	150	150

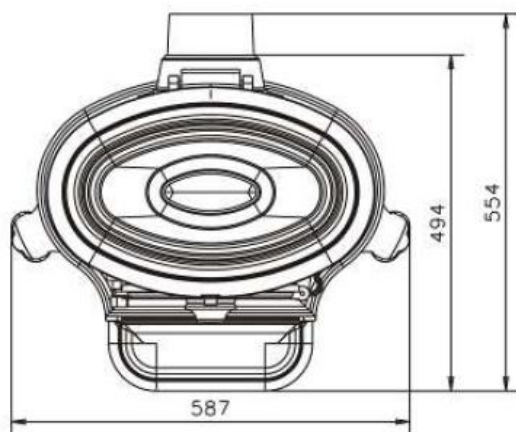
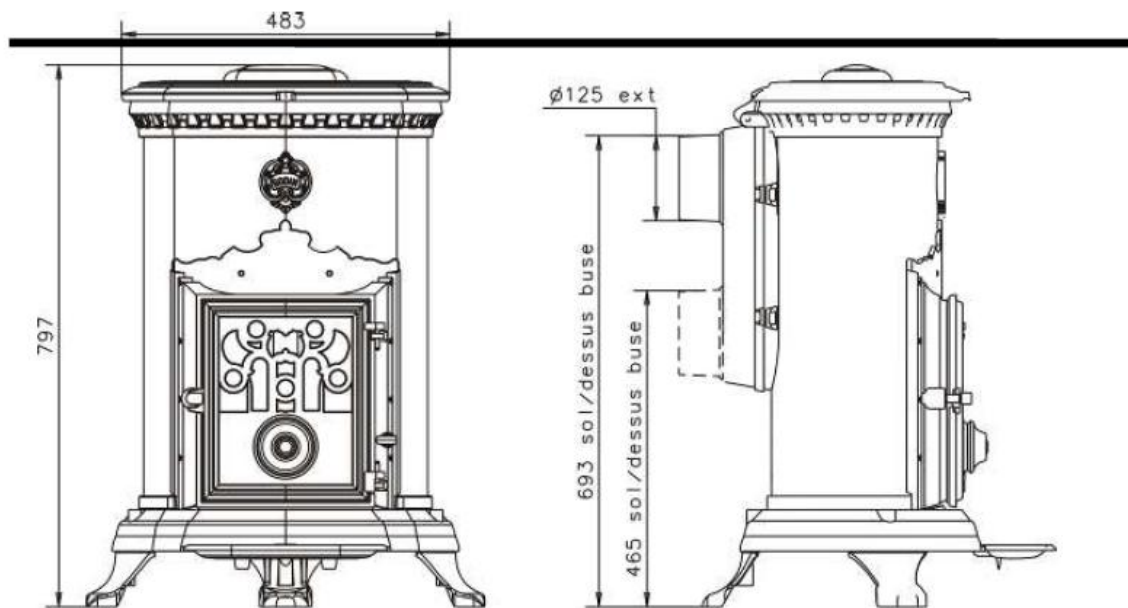
LINEDRAWINGS



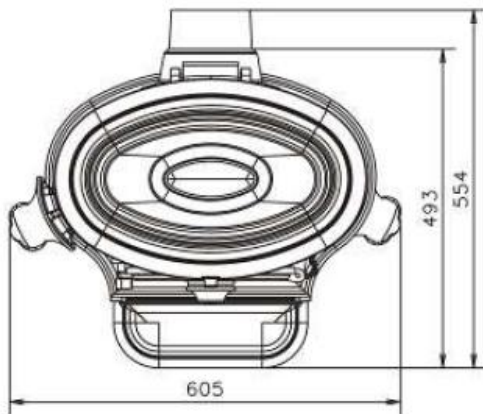
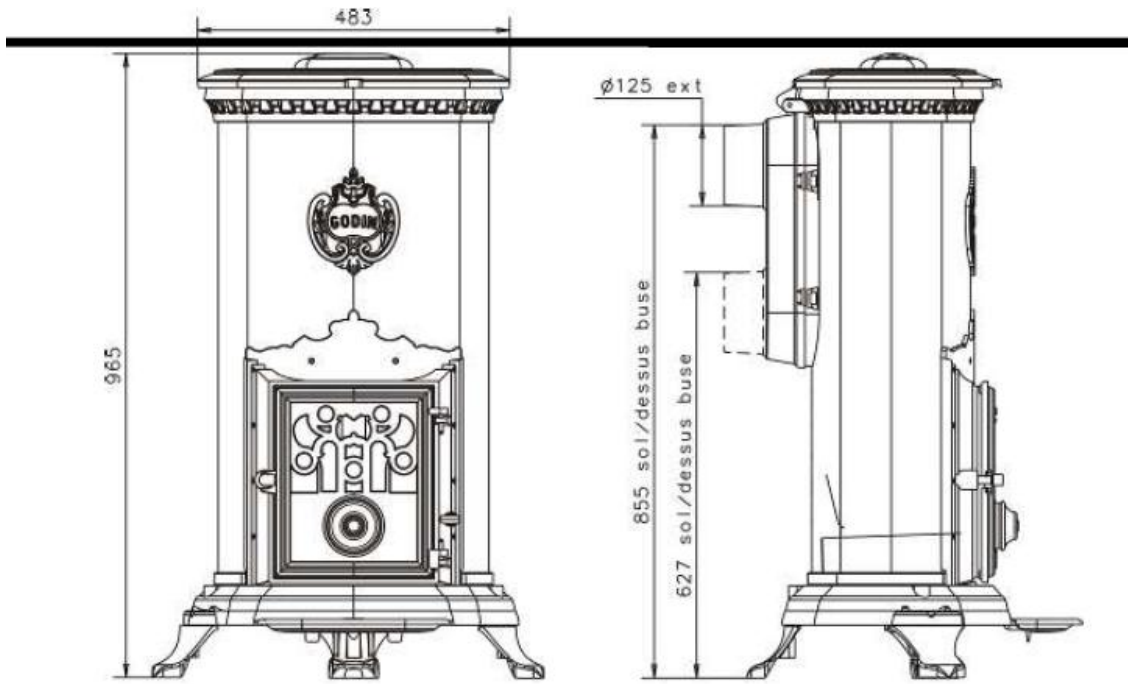
*3720A
Petit Godin*



*3721A
Petit Godin*



3726
Petit Godin



3727
Petit Godin

PART FOR THE INSTALLER

- Always respect all norms and standards in the country of installation.
 - Ensure that the chimney (if it is an existing one) is compatible and suitable for the unit to be installed. The chimney and/or flue is critical to the correct functioning of the unit – ensuring the correct delivery of fresh air to the unit for primary combustion and for the elimination of the combustion fumes.
 - Most heater/ insert malfunctions are due to a fault with the chimney flue – this point cannot be emphasized enough....

One should not be content in referring to results obtained with a previous heater – the air intake requirements may differ.

- A good chimney should be made of material that is a low conductor of heat and that does not cool down too easily.
- If the internal volume of a brick chimney, or existing tubing, is too high it may be necessary to run a new liner in the chimney. Any bends must be gentle and as straight as possible.
- Mechanical sweeping of the chimney must be possible – there should be no restrictions or sharp bends.
- If there is any combustible material in the rear wall of the chimney (some types of insulation) this should be removed across the full width of the chimney and up to the height of the ceiling. Any beams (exposed or enclosed) in the vicinity should not be exposed to any temperatures exceeding 50°C.
- In cases where combustible material has to be removed then the wall should be rebuilt using materials with good thermal insulation properties – cellulose concrete for example.
- If there is a combustible mantle piece (wooden beam) it must be protected on the inside and underside by incombustible material or by a deflector. There must be no direct physical contact between the material protecting the mantelpiece and the heater itself.
- The flue diameter for correct functioning of the unit is recommended to be 150mm – though 125mm is acceptable.
- The flue diameter must never be reduced.
- The chimney must originate in the room where the heater is installed.
- The flue and chimney must be airtight.
- Any flue or conduit used must be resistant to chimney fires and be designed to withstand temperatures 50°C higher than the declared operating temperatures of the heater.
- Reducers on the air intakes are not permitted.
- The flue must be homogenous.
- Flue pipes or tubing used must be suitable for heater installations and be able to resist to chimney fires. The flue must be able to withstand temperatures 50°C higher than the declared smoke/fume temperature for the unit – whatever the installation method.
- The height of the flue should not be less than 5 metres and should exit into “free” air at least 40cm above the crest of the roof or any higher obstacle that may be within 8 metres of the chimney.
- Any changes in the angle of the chimney must be as gentle as possible (a 30° bend is highly preferable to a 90° bend).
- The draw should be between 12 and 15 Pascals during normal (average) operation and when running on a normal average setting the draw should not drop below 12 Pascals as the

performance may be affected. The draw will drop to about 5 Pascals if the unit is run very slowly.

- **If there is too much draw, a damper can be installed in the flue/chimney.** If there is not enough draw it may be that one of the points above has been disregarded
- If an existing chimney is being used it is possible that the internal volume thereof is too large for the draw to establish itself. It may necessitate running a liner in the chimney.
- Pottery chimney pots should have an outlet diameter of at least 250cm² or they should be removed.
- A cleaning trap is recommended at the base of the chimney.
- A chimney sweep is recommended before installing the heater.
- A professional installer should install the heater.

An alcove and Ceiling Insulation:

- Incombustible materials may degrade above 90°C (plaster, for example) – thermal insulation of surfaces subjected to direct radiation from the flue/ conduit off the heater is recommended. The ceiling part of an alcove should also be lined.
- **A false ceiling must be made of incombustible material.**
- **If the heater is in an alcove the ceiling of the alcove must be at least 80cm above the heater.**

Allowing for Fresh Air in the Room:

- Air extractors in the same room can cause problems as this can result in insufficient fresh air supply for the heater. A supplementary air supply must be allowed for.
- An air intake should preferably be directly from the outside or otherwise from an adjacent well-ventilated room.
- Existing air vents into the room should not be sealed off.
- The heater must not be connected to a chimney that serves as a multiple conduit.
- The connection off the rear spigot can either be directly into a T-piece leading into a vertical flue or a horizontal connection can be made directly into an existing chimney.

USE OF THE HEATER

- There may be NO reduction in the flue diameter – UNDER NO CIRCUMSTANCES. This could result in the “blowback” of fumes into the room as soon as the heater door is opened, and a reduction in the evacuation of fumes.
- The chimney must originate in the same room where the heater is installed.
- If the chimney conduit is too large, the volume of air to heat is too large to overcome and a normal draw cannot be established. In this case the chimney should be lined with tubing. The tubing used must conform to regulations and be suitable for heater installations (see above).
- Pottery chimney pots must be removed if they cause a reduction in the flue diameter.
- Before connecting the heater the chimney must be checked to ensure that it is clean and, if necessary, the chimney must be swept.

- The heater should be installed by a professional and all national and local regulations should be adhered to.
- An extractor operating in the same room as the heater can adversely affect the functioning of the heater.
- Other heaters operating in the same room at the same time can also cause problems with the draw.
- Never seal off incoming air vents into the room. Air vents should be situated in positions where it is unlikely that they would be accidentally blocked. The heater uses air that comes into the room in order to operate correctly – it is important that this air supply can renew itself from an external source.
- This heater is not to be connected to a chimney with multiple connections.

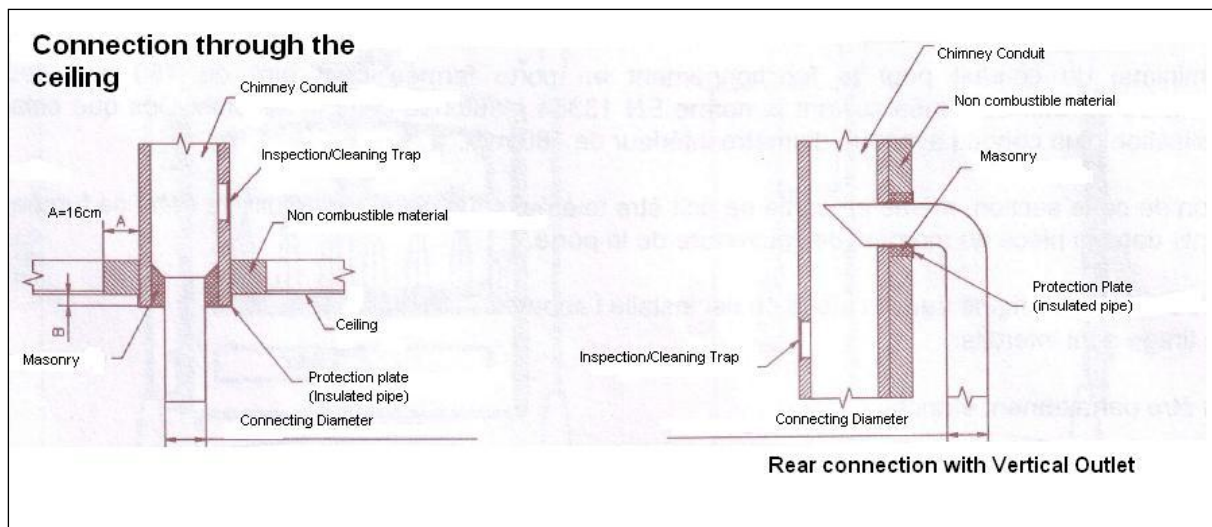
IMPORTANT

- Ensure that the floor can support the weight of the unit. If necessary a weight-bearing slab (cement, stone or tile) may have to support the unit.
- **If the floor is of combustible material (wood, vinyl) it should be adequately protected with a material that surpasses the front of the unit by at least 40cm.**
- Pipes that are used must be of the correct diameter and should preferably be enamelled as these are more resistant to corrosion. Any horizontal section must be as short as possible so that the hot fumes/ smoke can rapidly establish the correct operating draw for the unit.
- **The rear wall should not contain any flammable material.** Suitable protection should be applied if necessary. Flammable material should be at a distance of at least 70cm from the rear of the unit.
- If there are walls to the left or right sides of the unit, containing flammable material, these should be at least 70cm from the side of the unit.
- If the unit is to be used in a freestanding situation, within an alcove, then the gap above the unit to the ceiling must be at least 80cm.
- The heater radiates heat (from the cast-iron and through the glass) and it is recommended that all flammable material (chairs, carpets, coffee tables) are at least 150cm away from the front of the unit.

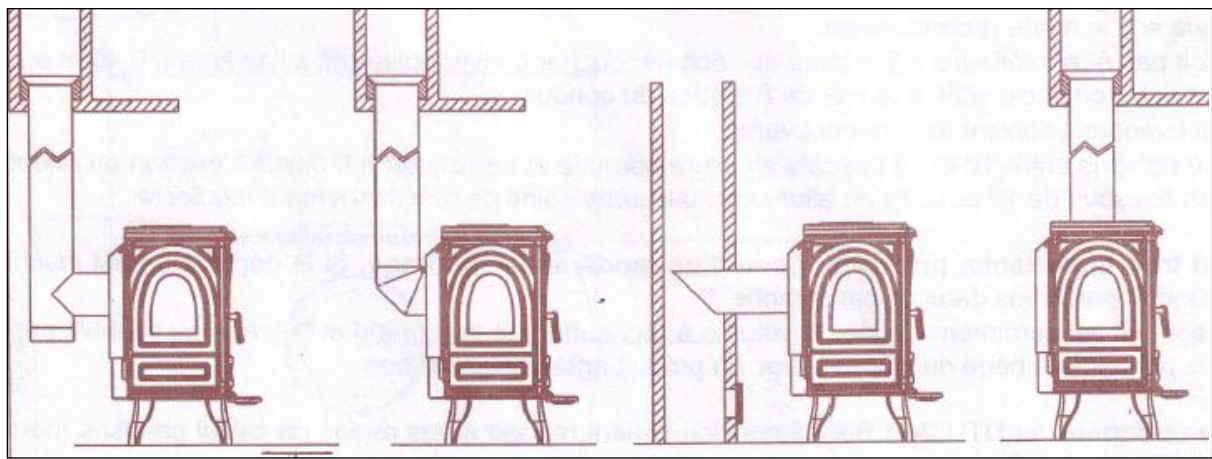
CONNECTING THE HEATER TO A CHIMNEY

The heater must be connected according to regulations – special care being taken where there are any roofing beams adjacent, or in close proximity, to the actual chimney. It is important that no join is made within the actual thickness of the ceiling (or flooring) itself – the flue pipe or tubing must go beyond this point.

Example of Connecting to a Chimney Flue



General connection Principles



INSTRUCTIONS FOR THE USER

- Before using the heater, read the instruction manual carefully.
- The unit must be installed in accordance with regulations and in accordance with the norms of best practice.
- It is strongly recommended that a professional installer installs this heater.
- Never obstruct air passages/ vents into the room.
- The heater must be connected to a flue or chimney that is for its exclusive use. It cannot be used in a situation where there are multiple connections in one chimney.
- No unauthorised modifications are to be made to this heater.
- The unit is not designed to be operated with the door open.
- **All surfaces of this unit will get hot when in use**— it is imperative that precautions are taken to avoid any risk of burns.

- **The operating tool should be used to move the lids, open the door lock-nut, adjust the air-intake and remove the ashtray.**
- Keep children and frail people away from the operating unit in order to minimise any risk of injury.

AIR RENEWAL

- The heater uses the air in the room in which it is installed. It is important that this air can replenish itself in sufficient quantities.
- Some of the air is taken in as primary air for combustion and some of it is directed as “secondary” air in order to augment the combustion and to reduce the deposit of residues on the glass.
- The air that is used for combustion should be compensated for by allowing an intake (air-vent) of fresh, external air into the room.

LIGHTING AND REGULATION

- Open the door – make sure the unit is clean.
- Ensure that the shaking grate and front retaining grate are properly in position.
- Using usual firelighting material (kindling, firestarters) and a small load of firewood, light the fire through the front grate. The air intake can be fully open.
- Never use fuel or alcohol to light the fire.
- When the fire is burning properly, the desired quantity of firewood/ anthracite can be loaded and the air intake can be suitably reduced.
- **In cases where there have been extensive wet-works in the installation of the heater these should be allowed to dry for 4 weeks. This will enable moisture in the possible brickwork or stonework to evaporate.**
- To enable proper drying of the building works (after the 4 week period) small, moderate fires should be lit for the first 10 days. The air register should not be opened fully during this period in order to keep the fire intensity low.

Air Intake Adjustment:

The operating tool should be used to adjust the air intake valve.

The air intake adjustment is the Spindle on the central front of the door – this air valve is rotated to adjust the burning rate:

1. **½ turn to 1 turn open is slow.**
2. **2 to 3 turns open is moderate to fast.**
3. **3 turns and more is fast to very fast.**

The unit is sensitive to adjustment of the air control.

- Before loading for the night, a clearly burning bed of coals, 8 to 10 cm thick, should be visible on the grate.
- The heater can then be loaded $\frac{2}{3}$ of the height of the fire chamber.

REMARKS

- During use, all material or objects that could be adversely affected by the heat should be removed to a safe distance.

NOTE

- When the heater is functioning normally the door handle must not be touched with a bare hand. The door must be closed during normal operation.
- Loading of firewood and anthracite is done through the top loading lid (beneath the decorative outer lid) of the unit.
- For a slow burn one would use fewer logs but of greater thickness on a moderate bed of coals and reduce the air intake.
- A thin layer of ash on the grid often makes it easier to light the fire.
- In order to overcome a poor draw it is recommended to try and build up a larger, stronger fire. Take note of the outside weather conditions as these affect the draw: High winds - strong draw, Fog – low draw.

NOTE: The duration of the burn will depend on the type of wood being used and the draw.

THE HEATER CHIMNEY

- Always follow the instructions.
- When using the heater for the first few times, make moderate fires in order to ensure it's correct operation. One can gradually increase the burning load over a period of several days.
- Do not use the heater like an incinerator.
- Only use recommended burning material (wood and anthracite).
- Do not use the unit if the glass is broken or cracked. The glass should first be replaced. Your installer should be contacted in order to assist you in replacing the glass – for which you will be invoiced. One may look at replacing the door seals at the same time and **special care must be taken in not overtightening any clamps or brackets that hold the glass in place** as it is important to allow for expansion and contraction.
- After a long period of inactivity, ensure that the chimney/ flue is not obstructed and also any air guides or smoke/ fume passages within the unit.

Loading: IMPORTANT RECOMMENDATION

When loading firewood into the unit, the fire should be sufficiently low. Do not open the door or lid if there are extensive high flames as one may risk drawing these outwards when opening the door or lid. The door or lid must always be opened very slowly in order to allow the draw to stabilise and to avoid the possibility of blowback.

THE IMPORTANCE OF FUEL (FIREWOOD)

This unit must give you entire satisfaction. Nonetheless one must not forget that the heater can only liberate the energy in the fuel that it is burning.

If it seems that your heater is not producing sufficient heat, we can affirm that:

- The quantity of fuel is too little.
- The fuel being used does not have sufficient available energy.

Firewood should ideally have been felled 2 years previously (3 years is even better).

In principle, all wood, contains the same calorific value versus weight. Hard wood is often better as it is more dense and often contains less moisture. Moisture content in wood typically varies from 15% for dry wood to 50% for wet wood. It stands to reason that a lot of energy is required to vaporise the moisture in the wood.

The energy available for heating is 4.16 Wh per kilogram of dry wood. For firewood with 50% moisture content this available energy drops to 1.73 Wh.

Using wet wood also causes more condensation in the chimney which accelerates deposits and the subsequent risk, over time, of chimney fires.

Never use water to put out the fire.

If the glass gets dirty quickly it is often an indication of using wood that is too damp or burning low fires extensively.

REMOVING THE ASH

- The ashtray should be emptied every 2 to 3 days – depending on use of the heater. This must be done carefully – the ashtray should be carried using the glove provided and the **operating tool** should be used to move the ashtray.
- Do not allow the ashes to build up in the ashtray so that they touch the underside of the grate. This will inhibit cooling down of the grate and will accelerate it's deterioration.

CHIMNEY SWEEPING

- Your chimney should be swept by a professional, using mechanical tools, at least twice a year – one of these should occur during the heating season (winter). In South Africa it would usually suffice to do this once a year. A chemical powder can also be used to do a "sweep" but this does not replace the mechanical sweep that is required.
- Inspect the unit, ensure that all seals are intact and replace if necessary.
- Clean the heater completely on the inside and ensure that all air/ fume passages/ channels are clear.
- The glass can be cleaned with a recommended glass cleaner (Godin Net ref. 0009).
- In case of fire in the chimney, close the air intake and call the emergency services.

MAINTENANCE

The heater should be checked by a competent person at least once a year.

IMPORTANT

- **FOR THE FIRST FEW TIMES THAT THE HEATER IS USED IT IS IMPORTANT THAT ONLY MODERATE FIRES ARE LIT, IN ORDER TO ALLOW THE CONSTITUENT PARTS TO EXPAND AND CONTRACT NORMALLY.**
- **THE HANDLES ARE HOT DURING USE. USE THE GLOVE SUPPLIED.**
- **THE GLOVE IS ONLY TO BE USED FOR OPENING THE DOOR HANDLE AND CARRYING THE ASHTRAY. IT IS NOT TO BE USED FOR HANDLING BURNING OBJECTS (FIREWOOD). IT IS NOT IMPERMEABLE TO LIQUIDS. IT CANNOT BE USED AS PROTECTION AGAINST CHEMICAL PRODUCTS.**
- **TAKE CARE IN PUTTING YOUR GLOVE IN A SAFE (COOL) PLACE AFTER EACH USE.**

Do not worry if the heater gives off a slightly acrid smell/ smoke when lit for the first couple of times. This can be as a result of the high-temperature paint finish on the various cast-iron parts and some excess residues from the manufacturing process. This may persist for several days.

Maintaining the cast-iron and steel

All cast-iron and steel heaters require a minimum of maintenance, after each winter, during the summer season, in order to preserve the integrity of the different parts. When the heater is being used there is minimal risk of oxidation of the constituent parts. The process of oxidation usually occurs during prolonged periods of inactivity (no fires).

The cast-iron parts can be regularly maintained using the black graphite paste (Godin ref. 0012). This is applied cold as a polish. Once it has dried a soft cloth can be used to shine it up. The high heat spray paint (Godin ref. 0001) can be used on the external parts of the heater if a more uniform and even finish is desired. Before using the spray paint it is imperative that all traces of oxidation are first removed either by using a wire brush or a fine-grained emery paper.

All cast-iron heaters that have an external baked enamel finish do require maintenance of the internal parts of the heater. Maintenance is even more important in those homes that are only occasionally occupied. Most of the cleaning products (graphite paste, window cleaner, chemical chimney cleaner, high-temperature spray paint) are available through your installer/ importer.

Particular care of the door

The door of the unit swivels on steel pins and washers.

TAKE NOTE : if the door is removed for some reason (replacing the door glass) it is important to replace the washers on the pins at the same time with new ones and possibly the door pins themselves.

SPARE PARTS

If any spares are required please contact your installer or the importer. It is important to record the model number – a metallic plate usually affixed to the rear of the unit records the specifics for that model.

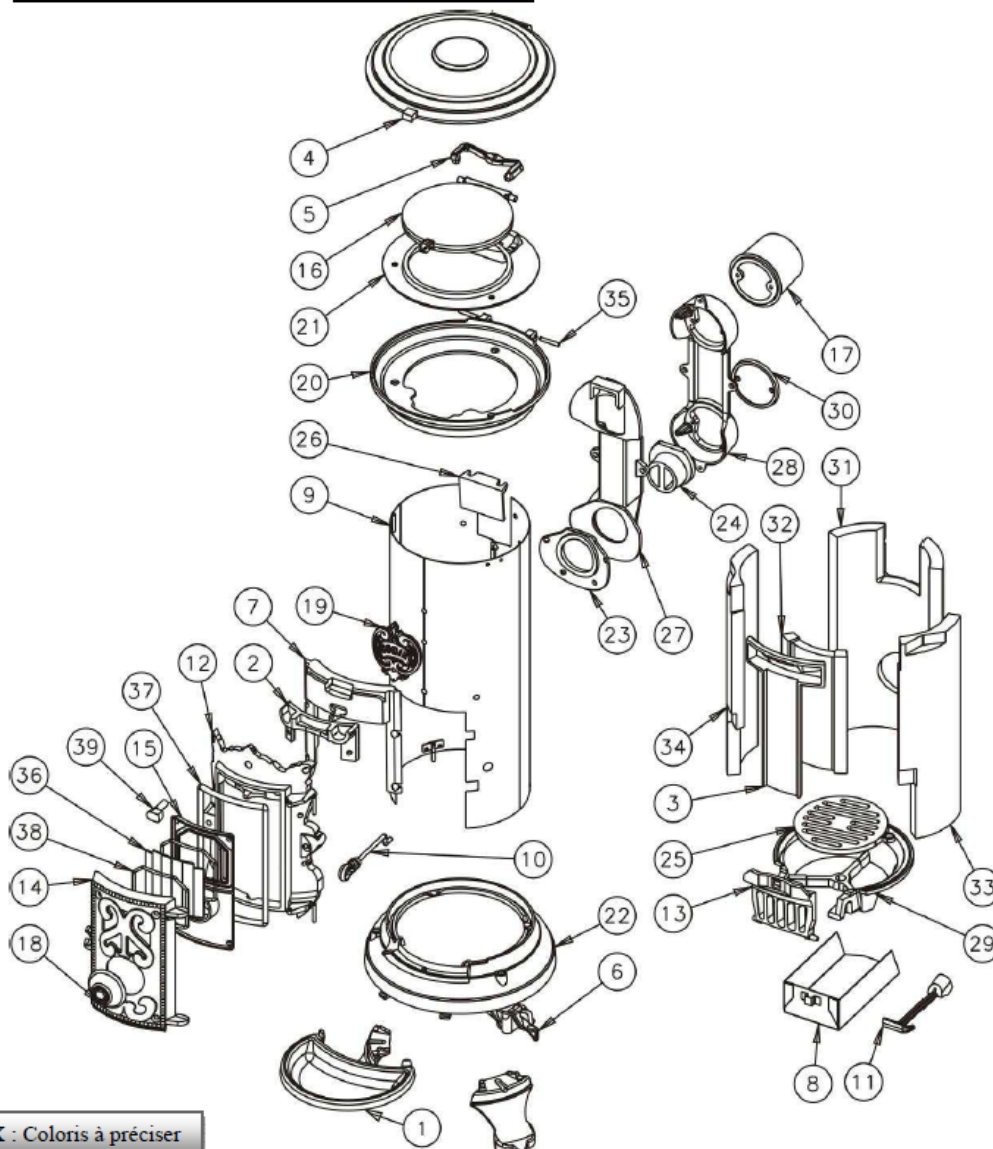
This will ensure that the correct expanded views and parts lists are obtained for any assistance that may be required.

NOTE: The manufacturer is only responsible for the actual heater that is produced. The installation and commissioning of the heater is the responsibility of the installer.

In the quest for improving the quality of its products, GODIN S.A., reserves the right to modify its products without any prior warning.

Exploded view and Spare Part Nomenclature:

o Éclaté et nomenclature du 3720A Petit Godin :

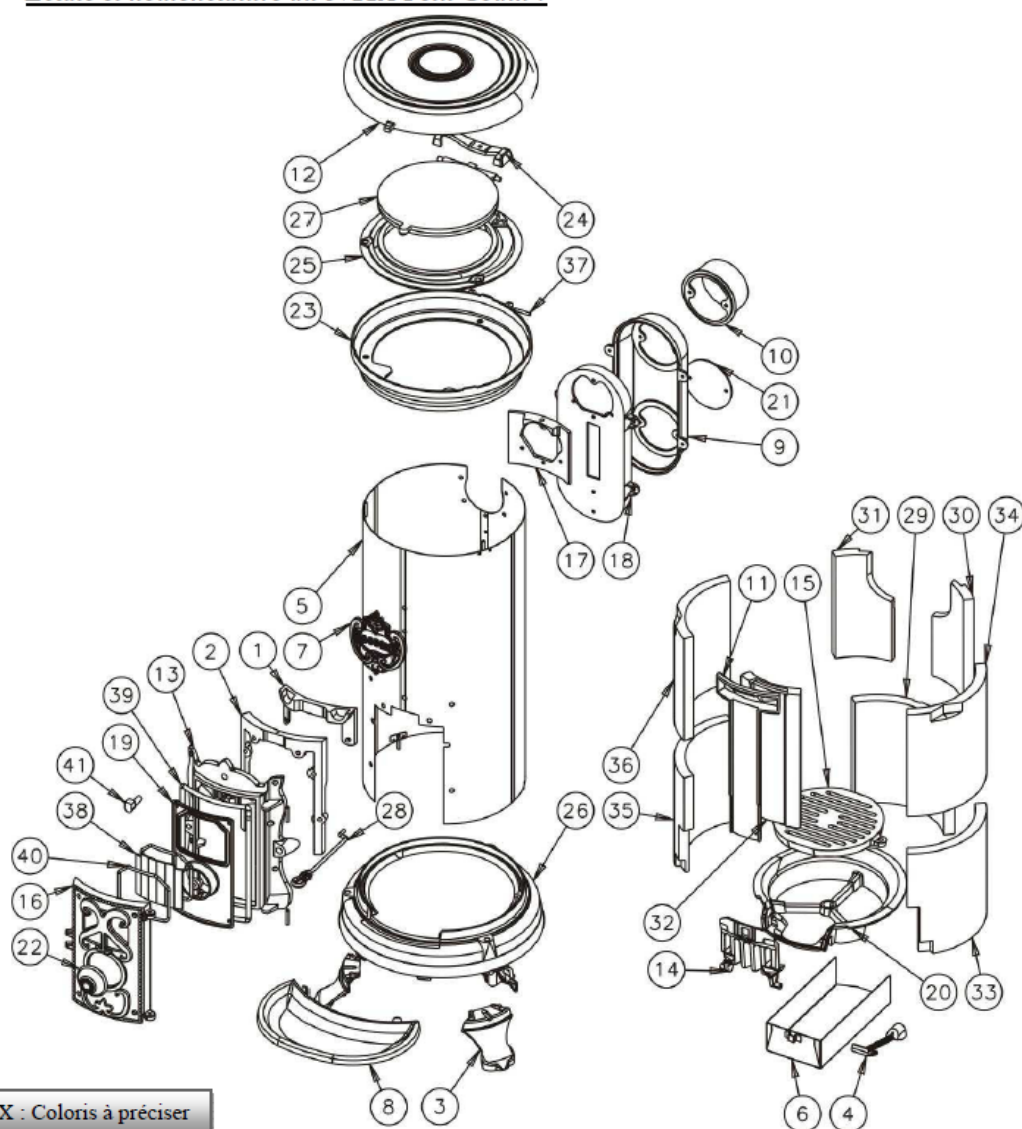


XXX : Coloris à préciser

N°	Nb	Désignation	Codification
1	1	Bavette	1 2201 2122 XXX
2	1	Cache écrou	1 0319 2122 01
3	1	Conduit d'air	1 4112 2122 00
4	1	Couvercle	2 1201 2122 XXX
5	1	Crapaudine de dessus	1 1147 2122 01
6	3	Pied	1 2615 2122 XXX
7	1	Raccord devant foyer	1 0359 2122 01
8	1	Cendrier	1 3315 3720 00
9	1	Fut complet	1 0338 3720 98
10	1	Tige de décrochage	1 0377 3720 98
11	1	Clé à crochet	1 4101 3720 01
12	1	Devant foyer	1 0326 3720 XXX
13	1	Grille devant	1 0221 3720 53
14	1	Porte foyer	1 2861 3720 XXX
15	1	Semelle porte foyer	2 2866 3720 01
16	1	Tampon de chargement	2 1440 3720 53
17	1	Busse ronde Ø97 extérieur	1 4312 3726 01
18	1	Valve air	1 4136 3730 XXX
19	1	Ecusson	1 8501 3730 XXX
20	1	Chapiteau	1 1110 3730 XXX

N°	Nb	Désignation	Codification
21	1	Dessus de foyer	1 1113 3730 53
22	1	Fond	1 2205 3730 XXX
23	1	Devant boîte à fumée	1 4383 3736 01
24	1	Grille boîte à fumée	1 4305 3736 00
25	1	Grille charbon	1 0218 3736 00
26	1	Pare combustible	1 0356 3736 00
27	1	Semelle boîte à fumée	1 4303 3736 01
28	1	Boîte à fumée	1 4301 3736 01
29	1	Support foyer	1 0367 3736 01
30	1	Trappe de nettoyage	1 4230 3736 00
31	1	Brique arrière	00001306163
32	1	Brique avant	00001306166
33	1	Brique coté droit	00001306164
34	1	Brique coté gauche	00001306165
35	4	Goupille cannelée 6x40	00001305127
36	1	Jeu de verre G4 984	00001304568
37	1	Tresse Ø10.5 lg 850mm	00001304691
38	2	Tresse Ø5 autocollant lg 450mm	00001304860
39	1	Vis TM 27 B	00001301165

o Éclaté et nomenclature du 3721A Petit Godin :

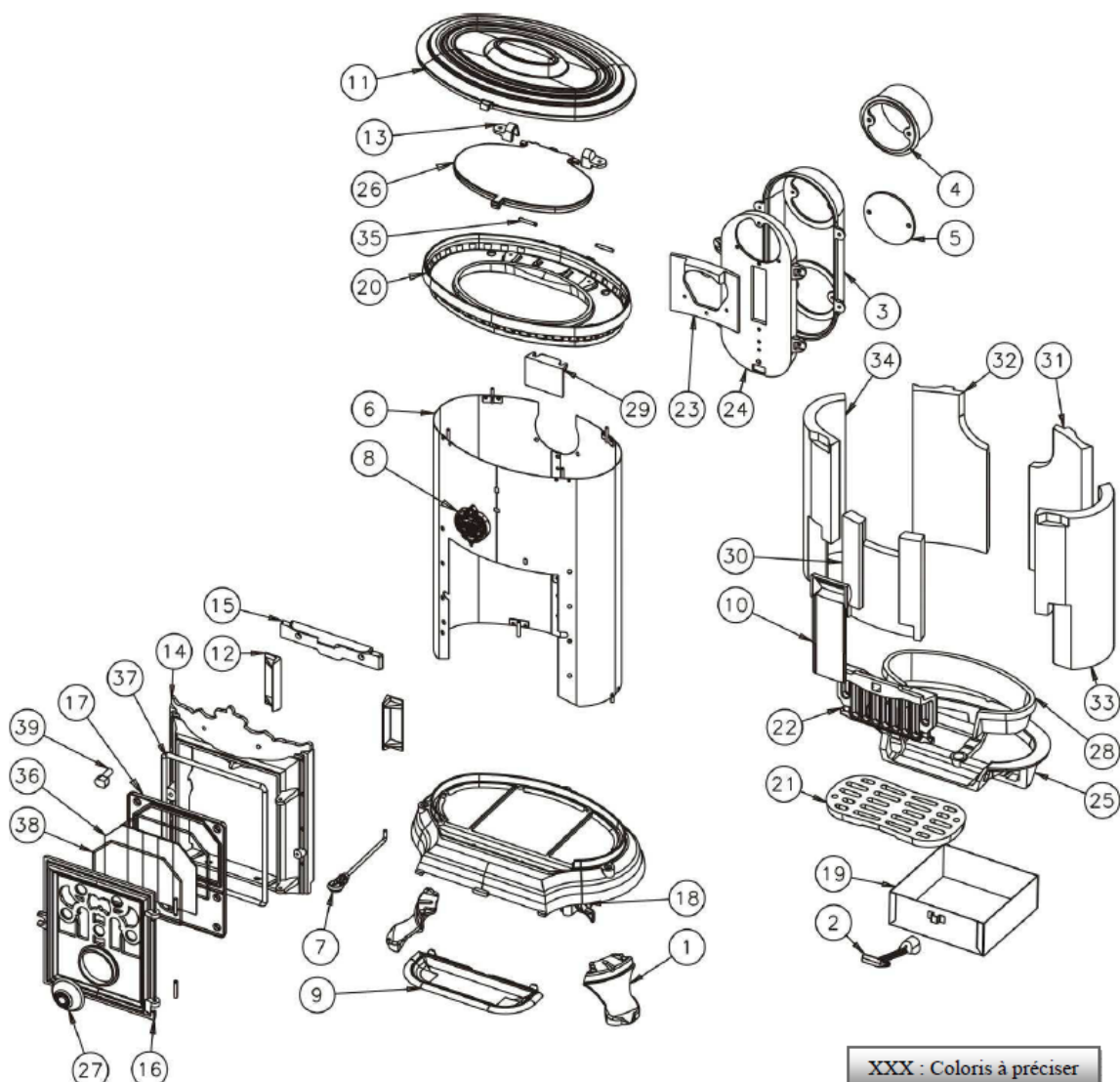


XXX : Coloris à préciser

N°	Nb	Désignation	Codification
1	1	Couvre écrou	1 0319 0124 00
2	1	Raccord devant foyer	1 0359 0124 00
3	3	Pied	1 2615 2122 XXXX
4	1	Clé à crochet	1 4101 3720 01
5	1	Fut complet	1 0338 3721 98
6	1	Tiroir cendres	1 3315 3721 00
7	1	Ecusson	1 8501 3721 XXXX
8	1	Bavette	1 2201 3721 XXXX
9	1	Boîte à fumée	1 4301 3721 01
10	1	Buse Ø125	1 4312 3721 01
11	1	Conduit d'air	1 4121 3721 00
12	1	Couvercle	2 1201 3721 XXXX
13	1	Devant foyer	1 0326 3721 XXXX
14	1	Grille de devant	2 0221 3721 00
15	1	Grille de fond	2 0218 3721 00
16	1	Porte foyer	1 2861 3721 XXXX
17	1	Raccord boîte à fumée	1 4367 3721 53
18	1	Semelle boîte à fumée	2 4303 3721 01
19	1	Semelle porte foyer	2 2866 3721 00
20	1	Support foyer	1 0367 3721 53
21	1	Trappe de nettoyage	1 4230 3721 00

N°	Nb	Désignation	Codification
22	1	Valve air	1 4136 3721 XXXX
23	1	Chapiteau	1 1110 3731 XXXX
24	1	Crapaudine porte chargement	1 1147 3731 00
25	1	Dessus de foyer	1 1113 3731 00
26	1	Socle	1 2205 3731 XXXX
27	1	Tampon de chargement	2 1440 3731 00
28	1	Tige de décrochage	1 0377 3736 98
29	1	Brique arrière inférieure	00001306170
30	1	Brique arrière supérieur droite	00001306175
31	1	Brique arrière supérieur gauche	00001306176
32	1	Brique conduit air haut	00001306177
33	1	Brique coté droit inférieur	00001306174
34	1	Brique coté droit supérieur	00001306172
35	1	Brique coté gauche inférieur	00001306173
36	1	Brique coté gauche supérieur	00001306171
37	4	Goupille cannelée 6x40	00001305127
38	1	Jeu de verre G4 987	00001304600
39	1	Tresse Ø10.5 lg 1100mm	00001304691
40	2	Tresse Ø5 autocollant lg 600mm	00001304860
41	1	Vis TM 27 B	00001301165

o Éclaté et nomenclature du 3726 Petit Godin :

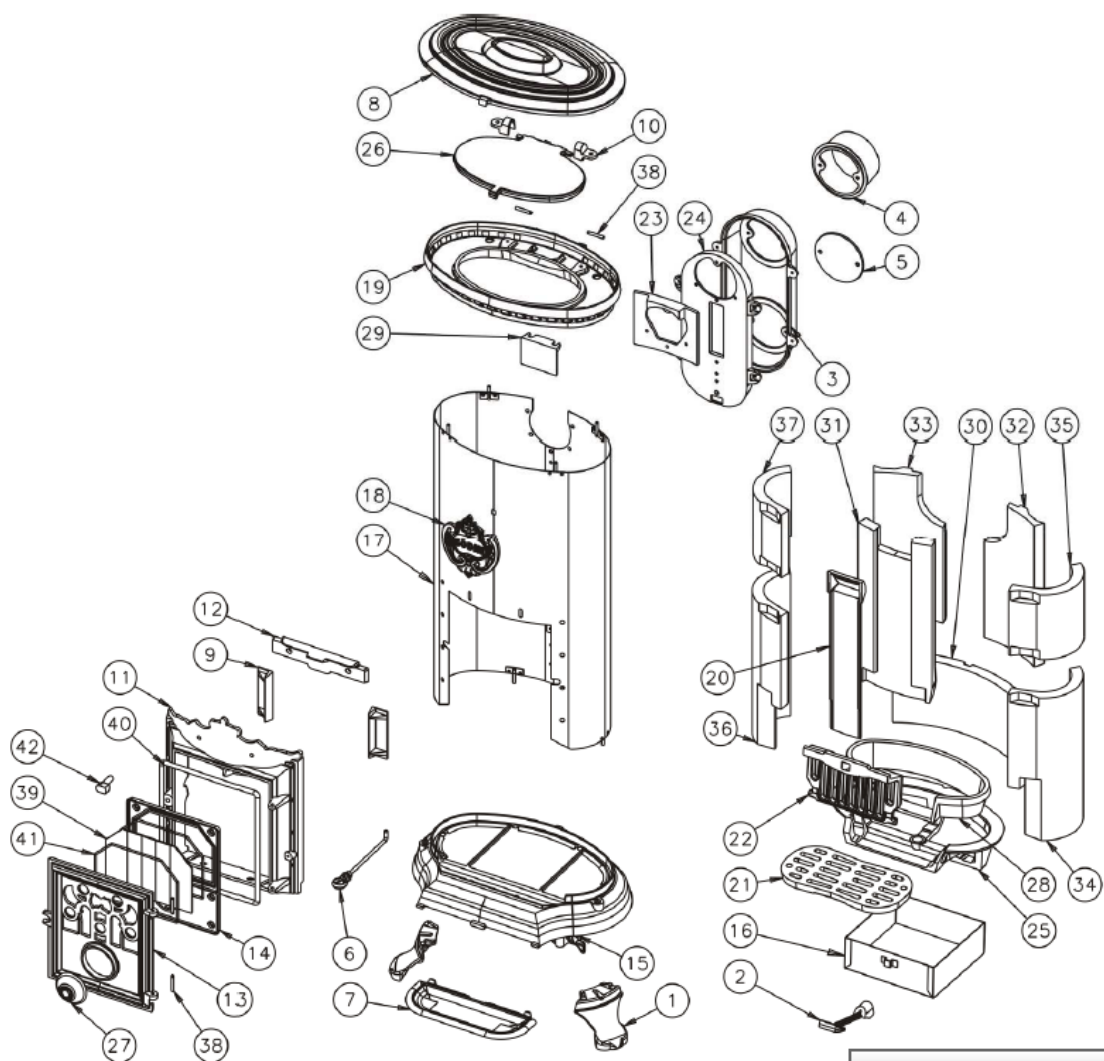


XXX : Coloris à préciser

N°	Nb	Désignation	Codification
1	3	Pied	1 2615 2122 XXXX
2	1	Clé à crochet	1 4101 3720 01
3	1	Boîte à fumée	1 4301 3721 01
4	1	Buse Ø125	1 4312 3721 01
5	1	Trappe de nettoyage	1 4230 3721 00
6	1	Fut complet	1 0338 3726 98
7	1	Tige de décrochage	1 0377 3726 98
8	1	Ecusson	1 8501 3726 XXXX
9	1	Bavette	1 2201 3726 XXXX
10	1	Conduit d'air	1 4112 3726 00
11	1	Couvercle	2 1201 3726 XXXX
12	2	Couvre écrou	1 0319 3726 00
13	2	Crapaudine porte chargement	1 2838 3726 00
14	1	Devant foyer	3 0326 3726 XXXX
15	1	Joint de foyer	2 0346 3726 00
16	1	Porte chargement	1 2861 3726 XXXX
17	1	Semelle de porte foyer	2 2866 3726 00
18	1	Socle	1 2215 3726 XXXX
19	1	Tiroir à cendres	1 3315 3727 96
20	1	Chapiteau	1 1110 3727 XXXX

N°	Nb	Désignation	Codification
21	1	Grille charbon	1 0218 3727 00
22	1	Grille devant	2 0221 3727 00
23	1	Raccord boîte à fumée	1 4367 3727 00
24	1	Semelle boîte à fumée	2 4303 3727 01
25	1	Support foyer	1 0367 3727 01
26	1	Tampon chargement ovale	1 2832 3727 00
27	1	Valve air	1 4136 3730 XXXX
28	1	Corbeille	1 0201 3734 00
29	1	Pare combustible	1 0356 3736 00
30	1	Brique avant	00001306178
31	1	Brique buse droite	00001306179
32	1	Brique buse gauche	00001306180
33	1	Brique droite	00001306181
34	1	Brique gauche	00001306182
35	4	Goupille cannelée 6x40	00001305127
36	1	Jeu verre A3 720	00001304427
37	1	Tresse Ø11.5 lg 1100mm	00001305426
38	2	Tresse Ø5 autocollant lg 700mm	00001304689
39	1	Vis TM 27 B	00001301165

o Éclaté et nomenclature du 3727 Petit Godin :



XXX : Coloris à préciser

N°	Nb	Désignation	Codification
1	3	Pied	1 2615 2122 XXX
2	1	Clé à crochet	1 4101 3720 01
3	1	Boîte à fumée	1 4301 3721 01
4	1	Buse Ø125	1 4312 3721 01
5	1	Trappe de nettoyage	1 4230 3721 00
6	1	Tige de décrochage	1 0377 3726 98
7	1	Bavette	1 2201 3726 XXX
8	1	Couvercle	2 1201 3726 XXX
9	2	Couvre écrou	1 0319 3726 00
10	2	Crapaudine porte chargement	1 2838 3726 00
11	1	Devant foyer	3 0326 3726 XXX
12	1	Joint de foyer	2 0346 3726 00
13	1	Porte foyer	1 2861 3726 XXX
14	1	Semelle de porte foyer	2 2866 3726 00
15	1	Socle	1 2215 3726 XXX
16	1	Tiroir à cendres	1 3315 3727 96
17	1	Fut complet	1 0338 3727 98
18	1	Ecusson	1 8501 3727 XXX
19	1	Chapiteau	1 1110 3727 XXX
20	1	Conduit d'air	1 4112 3727 00
21	1	Grille charbon	1 0218 3727 00

N°	Nb	Désignation	Codification
22	1	Grille devant	2 0221 3727 00
23	1	Raccord boîte à fumée	1 4367 3727 00
24	1	Semelle boîte à fumée	2 4303 3727 01
25	1	Support foyer	1 0367 3727 01
26	1	Tampon chargement ovale	1 2832 3727 00
27	1	Valve air	1 4136 3730 XXX
28	1	Corbeille	1 0201 3734 00
29	1	Pare combustible	1 0356 3736 00
30	1	Brique arrière	00001306187
31	1	Brique avant	00001306186
32	1	Brique buse droite	00001306179
33	1	Brique buse gauche	00001306180
34	1	Brique droite	00001306181
35	1	Brique droite	00001306188
36	1	Brique gauche	00001306182
37	1	Brique gauche	00001306189
38	4	Goupille cannelée	00001305127
39	1	Jeu verre A3 720	00001304427
40	1	Tresse Ø11.5 lg 1100mm	00001305426
41	2	Tresse Ø5 autocollant lg 700mm	00001304689
42	1	Vis TM 27 B	00001301165



WARRANTY CONDITIONS

Any warranty is subject to: correct installation, use and maintenance of the unit.

All our appliances have a 2 year guarantee (except inserts running with wood – closed fireboxes running with wood) against any defect starting on the date of purchase. This guarantee is subject to the inspection of the installation, use and maintenance conditions described in the instruction manual supplied with the appliance.

Parts that are in direct contact with high temperatures and that could undergo distortions caused by wear and tear **are guaranteed for 1 year**. This includes:

1. Decorative panels, side panels, grills, front hearth floors, grates.
2. Guide plates, baffles, valves, ash pits, air channels and fire-bricks.
3. Articulation mechanisms (Door hinges and handles etc.)
4. Fans , thermostats for overheating of appliances equipped with blast engine
5. Temperature control elements, oven thermostats, and for fan heated gas/electric cookers
6. Burners, catalysers, burner rings for fuel appliances
7. Boilers for central heating and cooking systems for wood/coal.

Our appliances have been specially designed to facilitate replacing of these parts.

Some parts have a longer guarantee:

3 years for cast iron or steel heating body of our boilers for central heating.

Wood-burning Inserts and closed fireboxes running with wood, have a 5 year warranty (only the heating body, parts in direct contact with high temperatures and undergoing wear and tear, described above have 1 year guarantee.)

Only the parts/s that are deemed to have failed will be covered by the warranty. Any indemnity, compensatory damage, cost of labour and transportation is not included.

In cases the repair or replacement reveals to be too expensive compared to the price of the appliance, the decision to replace or to repair the appliance is to be taken by Godin after sales service only.

Parts not covered by warranty:

1. GLASS – ceramic glass can withstand temperatures of up to 750°C. The glass can only break because of a mechanical shock while using or handling the appliance.
2. Glass seals and ceramic rope seals are considered wear and tear items.

The following will invalidate any warranty:

1. Damage caused by burning fuels other than those for which the unit is intended.
2. Any defect or deterioration caused by a fall, shock, negligence or lack of supervision and maintenance.
3. Deterioration of parts caused by abnormal conditions (back draft, dampness, storm effects, pressure and depression of non conform, temperature shock etc).
4. Abnormal usage of the unit (using a unit with the door open, running it on maximum for extended periods) or abnormal usage of the appliance in conditions that are different from the conditions in our manual for which it has been designed, for example non observation of our technical manuals (wrong electric connection, running an empty boiler etc)
5. Any defect, deterioration or accident caused by fall, shock, negligence, lack of the buyer's supervision or maintenance.
6. Any modifications or transformations made to the unit and non-compliance with installation norms.

Godin SA will not be responsible for any installation, assembly, dismantling costs and consequential removal of the appliance.

Consequently Godin SA, cannot be held responsible for any materials loss or human accidents, being a result of incorrect installation non – observing the legal provisions and regulations (for example, lack of ground connection, incorrect draft of the chimney etc...)

In order to constantly improve our products, we reserve the right to modify our appliances without prior notice. All the dimensions and specifications give are subject to variation according to technical requirements.

In case of a problem occurred during your guarantee period, please contact your retailer providing him with a copy of your bill and guarantee containing the appliances product codes, the retailers stamp, the date of the appliance installation.



WARRANTY CONDITIONS

Any warranty is subject to: correct installation, use and maintenance of the unit.

All our appliances have a 2 year guarantee (except inserts running with wood – closed fireboxes running with wood) against any defect starting on the date of purchase. This guarantee is subject to the inspection of the installation, use and maintenance conditions described in the instruction manual supplied with the appliance.

Parts that are in direct contact with high temperatures and that could undergo distortions caused by wear and tear **are guaranteed for 1 year**. This includes:

8. Decorative panels, side panels, grills, front hearth floors, grates.
9. Guide plates, baffles, valves, ash pits, air channels and fire-bricks.

10. Articulation mechanisms (Door hinges and handles etc.)
11. Fans , thermostats for overheating of appliances equipped with blast engine
12. Temperature control elements, oven thermostats, and for fan heated gas/electric cookers
13. Burners, catalysers, burner rings for fuel appliances
14. Boilers for central heating and cooking systems for wood/coal.

Our appliances have been specially designed to facilitate replacing of these parts.

Some parts have a longer guarantee:

3 years for cast iron or steel heating body of our boilers for central heating.

Wood-burning Inserts and closed fireboxes running with wood, have a 5 year warranty (only the heating body, parts in direct contact with high temperatures and undergoing wear and tear, described above have 1 year guarantee.)

Only the parts/s that are deemed to have failed will be covered by the warranty. Any indemnity, compensatory damage, cost of labour and transportation is not included.

In cases the repair or replacement reveals to be too expensive compared to the price of the appliance, the decision to replace or to repair the appliance is to be taken by Godin after sales service only.

Parts not covered by warranty:

3. GLASS – ceramic glass can withstand temperatures of up to 750°C. The glass can only break because of a mechanical shock while using or handling the appliance.
4. Glass seals and ceramic rope seals are considered wear and tear items.

The following will invalidate any warranty:

7. Damage caused by burning fuels other than those for which the unit is intended.
8. Any defect or deterioration caused by a fall, shock, negligence or lack of supervision and maintenance.
9. Deterioration of parts caused by abnormal conditions (back draft, dampness, storm effects, pressure and depression of non conform, temperature shock etc).
10. Abnormal usage of the unit (using a unit with the door open, running it on maximum for extended periods) or abnormal usage of the appliance in conditions that are different from the conditions in our manual for which it has been designed, for example non observation of our technical manuals (wrong electric connection, running an empty boiler etc)
11. Any defect, deterioration or accident caused by fall, shock, negligence, lack of the buyer's supervision or maintenance.
12. Any modifications or transformations made to the unit and non-compliance with installation norms.

Godin SA will not be responsible for any installation, assembly, dismantling costs and consequential removal of the appliance.

Consequently Godin SA, cannot be held responsible for any materials loss or human accidents, being a result of incorrect installation non – observing the legal provisions and regulations (for example, lack of ground connection, incorrect draft of the chimney etc...)

In order to constantly improve our products, we reserve the right to modify our appliances without prior notice. All the dimensions and specifications give are subject to variation according to technical requirements.

In case of a problem occurred during your guarantee period, please contact your retailer providing him with a copy of your bill and guarantee containing the appliances product codes, the retailers stamp, the date of the appliance installation.