

NOBO HEATING

User instruction

Function module
R80-RDC
Series 8 - heaters

NOBØ ELECTRO AS

P.O.B 16, N-7501 Stjørdal. Tlf. +47 74829100 - Fax: +47 74829101
E-mail: firmapost@nobo.no - Internet: www.nobo.no

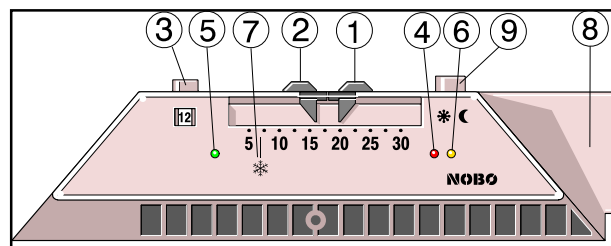


Fig. 1

1. General

The R80 RDC function module is suitable for NOBO's N heaters of types C, P, K, L and T.

It must be fitted by an authorised technician and the heater must be switched off when the module is fitted.

Fig. 2- L1 shows the location of the rating plate of the module. The R80 RDC is fitted with a double electronic thermostat for setting the comfort or economy temperature. The module has an integral receiver with a 12-position channel selector for saving electricity with NOBO's ORION 512.

The times for switching on the comfort and economy thermostats are selected centrally on the ORION 512. However, the programme can be overridden on each RDC module by pressing down the period button (9).

The lamp signal will then change from red to green or vice versa.

The override setting remains active until the ORION programme changes to a new economy or comfort period or until the period button is pressed in again.

2. Guide to the control panel

"1" - Slide control for setting the required comfort temperature

"2" - Economy temperature slide control - setting the lowest temperature allowed in the economy periods. This setting can only be activated by a Nobo System 500 transmitter

"3" - Channel selector, which determines the programme for the heater (sent from the ORION EC 512)

"4" - Red comfort light indicates that the temperature is controlled by the comfort thermostat

"5" - Green economy light indicates that the temperature is controlled by the economy thermostat

"6" - Yellow operating light indicates that the heating element is on

"7" - Frost protection symbol. Minimum temperature set at 7°C.

"8" - Switch: Position 0: OFF, Position 1: ON

"9" - Timing period button

3. Integral functions

The above heater types are fitted with a manual (P type) or automatic (other types) temperature release which switches the heater off if it is fully or partially covered.

After the cause of the disconnection has been removed, the release can be reset as follows:

P types. Press in a button on the rear of the heater.

All other types. The heater switches itself back on automatically.

4. User tips

A. If the RDC thermostat is not connected to an ORION 512, operation will be more reliable if the channel selector is set to a «blind field», i.e. to one of the positions between channel 12 and channel 1.

B. Setting several heaters to work together in one room

Switch on all the heaters in the room and set the comfort temperature slide controls ("1") to the required room temperature. When the room temperature has stabilised, set the slide controls ("1") to the lowest position for about 10 minutes. Then adjust the thermostat on each separate heater until

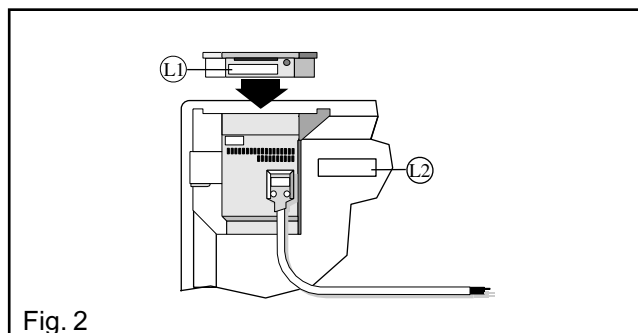


Fig. 2

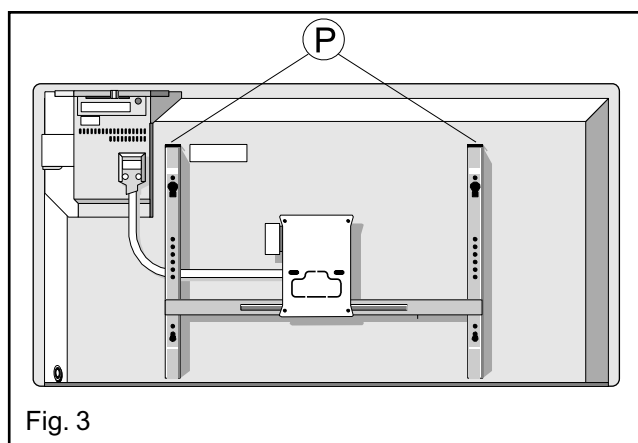


Fig. 3

the yellow operating light comes on. The heater thermostats are now set so that they will all work together to maintain the correct room temperature.

C. Cleaning behind the heater

It is very easy to pull the heater forwards in order to clean behind it.

This is done by pressing down the two top catches "P" (fig. 3) on the back of the heater, which secure it to the wall bracket. After cleaning, the heater must be fixed in the normal position.

5. Service

When you require service, contact your local dealer or NOBO ELECTRO AS.

6. Warning

Heaters must not be covered as this can cause a fire.

7. In the event of a claim, your rights are protected by local sales legislation.

AUSTRALIA: SUPERVISION OF CHILDREN.

This appliance is not intended for use by young children or infirm persons without supervision. Young children should be supervised to ensure that they do not play with the appliance.

REPLACEMENT OF SUPPLY CORD.

If the supply cord is damaged it must be replaced by an Electro Pty Ltd. service agent or similar qualified person in order to prevent a hazard.